
BT DPG 100 digital pressure gauge

Description

BT DPG 100 digital pressure gauge use HT series piezoresistive silicon pressure sensor as signal measure element. It utilizes ASIC design and stainless steel isolate diaphragm. It has high accuracy, good stability, long life.

They use the large LCD digital display, 18mm(0.71 ") high ,eliminates the guesswork that occurs when taking readings with an analog dial gauge. Zeroing the display is done with the push of a button. The auto-off function will display the pressure readings for 1-15 minutes (optional) before the unit automatically shuts off, prolonging battery life.



Feature

- ✧ Accuracy: 0.25%FS
- ✧ Operating Temperature Range: 0 to 50°C
- ✧ Battery: 9V alkaline(included)
- ✧ Case Dimensions: 67mm Dia.
- ✧ Case Material: ABS
- ✧ Wetted Parts: 316L stainless steel

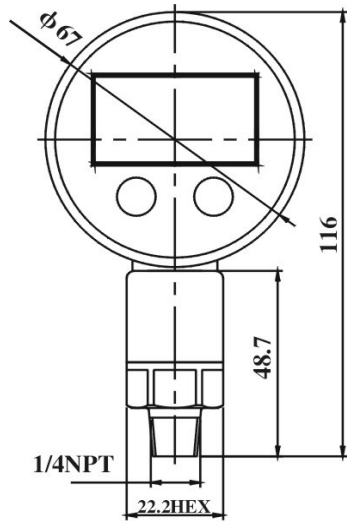
Application

- ✧ Liquid, gases which compatible with 316LSS
- ✧ Used to petroleum, chemical industry, power plant, water supply of town, Hydrologic exploration fields.

Specification

Range	BPZ2005: -0.1~0... ~100MPa
Proof pressure	1.5X rated pressure or 110Mpa, whichever is less
Accuracy	±0.25% (Typic) ±0.5% (Max.)
Long stability	±0.2%F.S/year
Operating Temperature	-1°C~49°C
Supply	9V
Battery life	2 years in power-saving mode
Housing dimension	67×116mm
Housing material	ABS, stainless steel 1Cr18Ni9Ti
Diaphragm material	316L
Pressure port	1/4~18NPT

Dimension

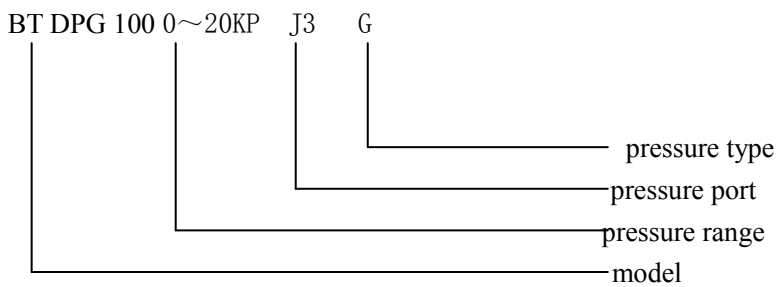


(BPZ2005)

Ordering information

BT DPG	digital pressure gauge			
	code	Model		
	100	Gauge pressure、 Absolute pressure 、 vacuum pressure		
		Range	-0.1~0. . . 100MPa	
		(0-X) KPa or MPa	X: Measure range	
			code	Pressure port
			J1	1/4NPT
			J2	G1/4 male
			J3	Customize
			code	Pressure type
			G	Gauge pressure
			A	Absolute pressure

Sample



Ordering information

1. Liquid, gases which compatible with 316LSS.
2. without 9V battery.
3. Differential pressure digital gauge, To ensure the products can working reliable, we suggest that customer install three valve group between measure point and transmitter that can assure media flow to positive & negative cavity slowly and uniformly.
4. if you have special requirement: strong shock, instantaneous wallop, strong electromagnetism, frequency interference and so on , please consult the supplier.